

4CH / 8CH DVR

Quick Start Guide



1. Packing.....	P.2
2. Hard Disk Installation.....	P.3
3. Front Panel Controls.....	P.7
4. Rear Panel Connectors.....	P.8



1 PACKING

1. DVR
2. Quick Start
3. Battery
4. CD
5. Screws
6. Power Adapter
7. SATA Cord

Note: Standard shipping products do not include HDD

2

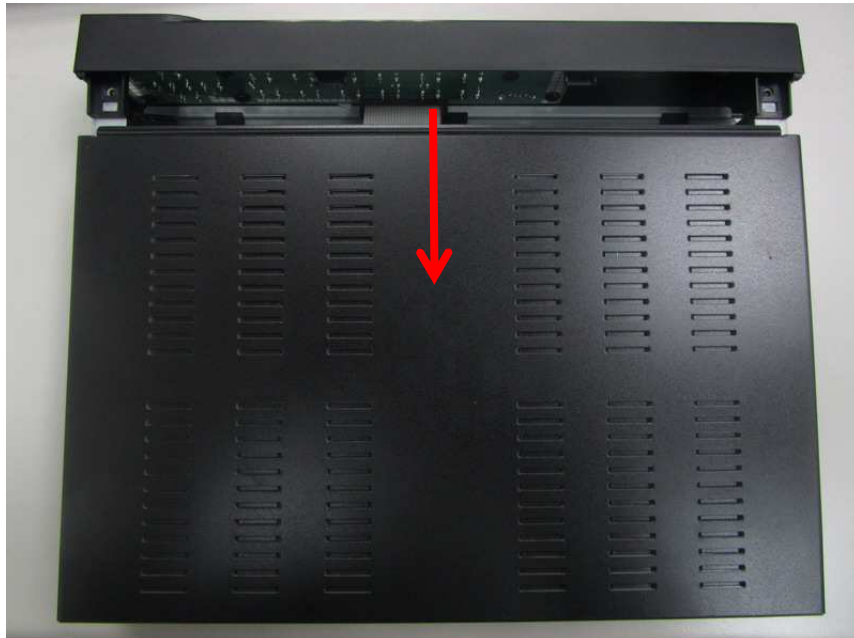
HARD DISK INSTALATION

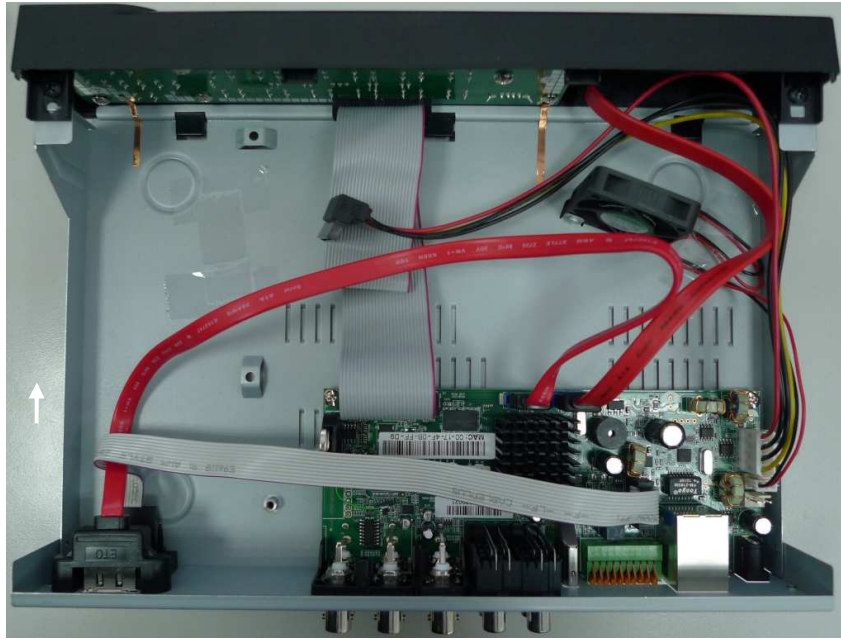
Step 1) Take out the screws as pictures show.



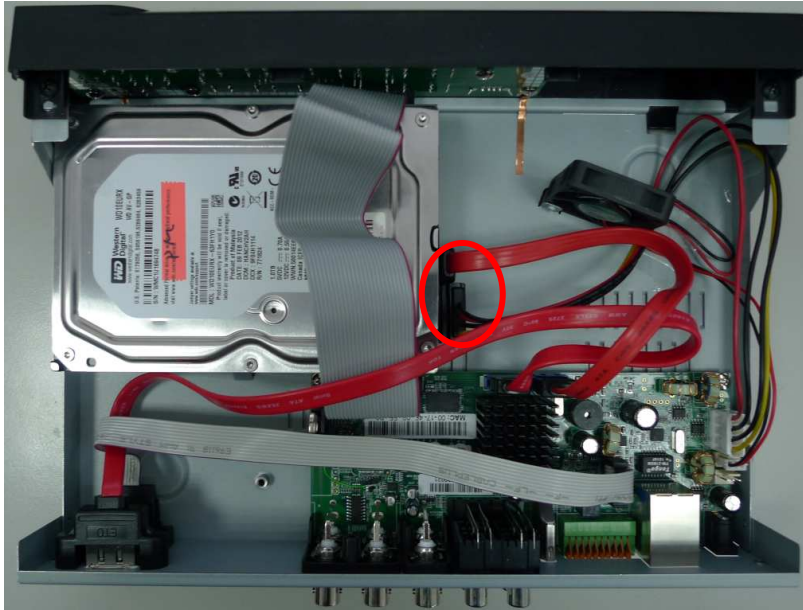
Back panel 3 screws

Step 2) Open the cover follow the arrow direction.

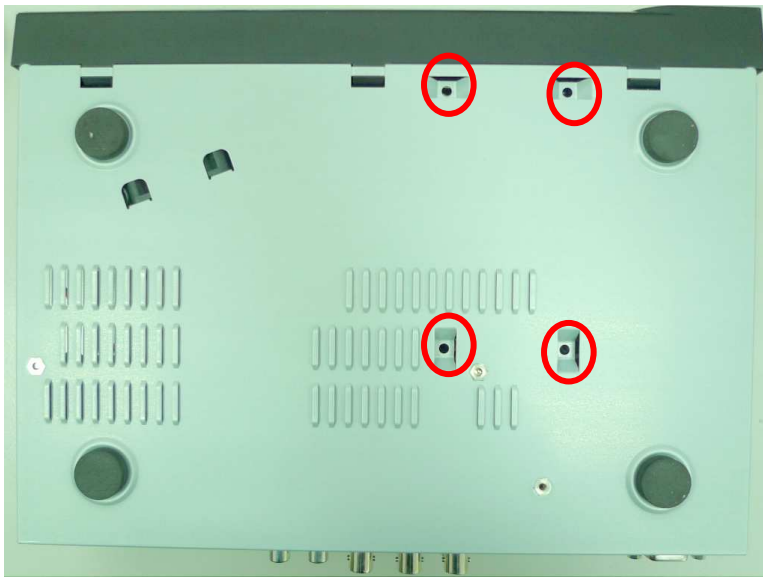




Step 3) Connect SATA & Power wire to Hard Disk and put it on the rack mount.

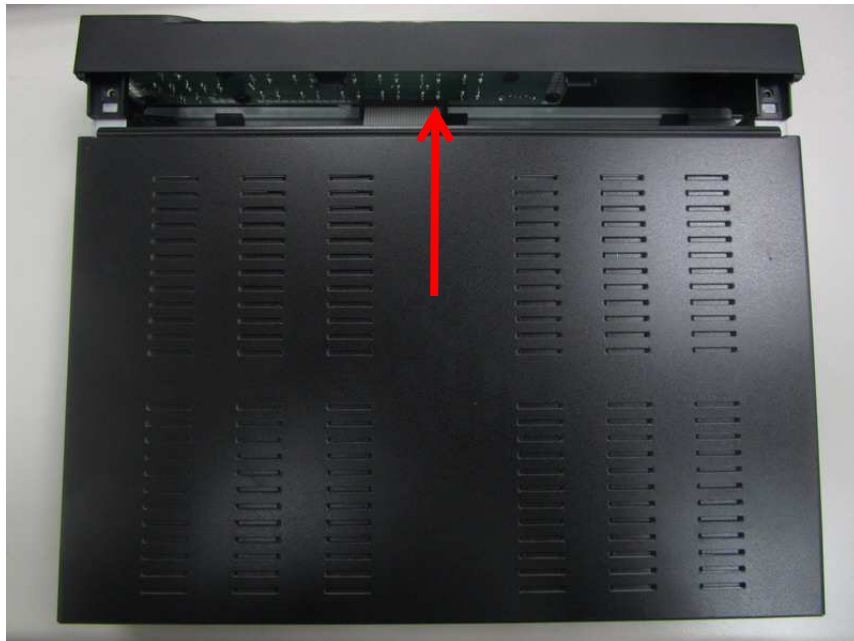


Fix HDD screw



Note: After installation, please initialize Hard Disk before starting to record. For more detailed information, please check out User Manual Utility Setup for reference.

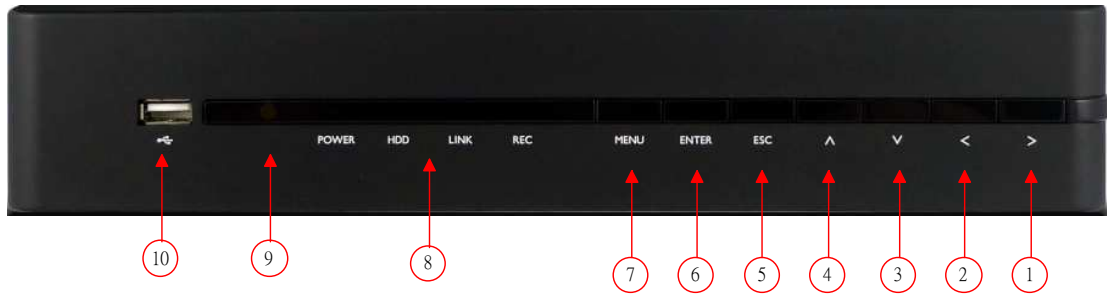
Step 4) Put the cover back and fix it with 3 screws as Step 1 indicated.



Note: After installation, please initialize Hard Disk before starting to record. For more detailed information, please check out User Manual Utility Setup for reference.

3

FRONT PANEL CONTROLS

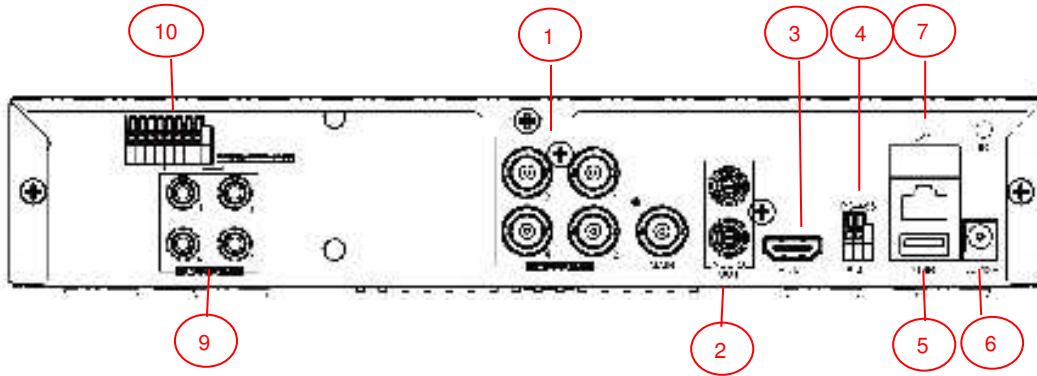


1. Arrow Keys	▶ : In SETUP mode, press to increase value. In PLAYBACK mode press to play forwards.
2. Arrow Keys	◀ : In SETUP mode, press to reduce value. In PLAYBACK mode, press to play rewind.
3. Arrow Keys	▼ : In SETUP mode, press to move cursor down. In PLAYBACK mode, press to stop playing back.
4. Arrow Keys	▲ : In SETUP mode, press to move cursor up. In PLAYBACK mode, press to slow down.
5. REC	Start or stop recording.
6. ENTER	In SETUP mode, press to enter sub menu. In Live mode, switch to full screen display.
7. MENU	In LIVE mode, press to display menu. In PLAYBACK mode, press to pause playback.
8. LED Display	POWER: Power is on. HDD: Hard disk is in use. LINK: Connected to the internet (<i>in red:</i> Remote user logged in). REC: Recording.
9. IR Sensor	Input sensor for the remote control.
10. USB 2.0	Port for USB external devices

4

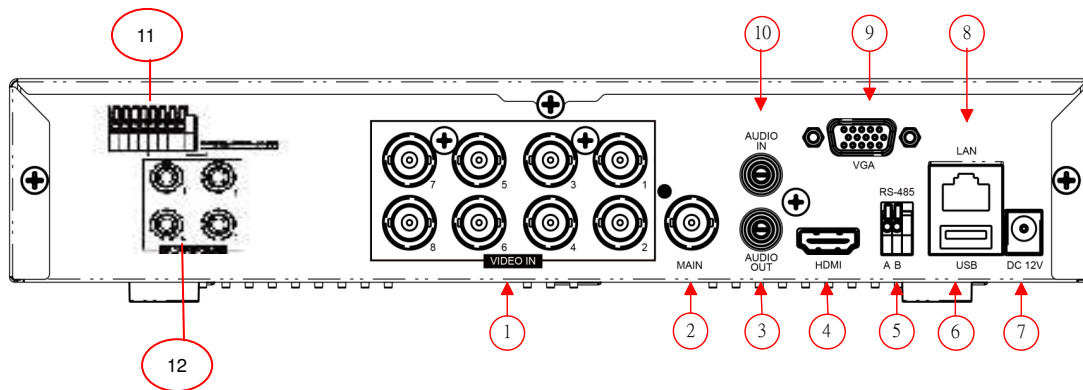
REAR PANEL CONNECTORS

4CH REAR PANEL CONNECTORS



1. VIDEO IN	BNC input ports for cameras, 4 in total.
2. AUDIO OUT	RCA output port for audio signal.
3. HDMI	HDMI port.
4. RS-485	RS-485 port.
5. USB	Port for USB mouse device
6. DC 12V	Socket for a DC 12V input.
7. LAN	Network port.
8. VGA	N/A
9. AUDIO IN	RCA input port for audio signal.
10. DI/DO	For external devices

8CH REAR PANEL CONNECTORS



1. VIDEO IN	BNC input ports for cameras, 8 in total.
2. BNC	BNC Output
3. AUDIO OUT	RCA output port for audio signal.
4. HDMI	HDMI port.
5. RS-485	RS-485 port.
6. USB	Port for USB mouse device
7. DC 12V	Socket for a DC 12V input.
8. LAN	Network port.
9. VGA	N/A
10. AUDIO IN	RCA input port for audio signal.
11. DI/DO	For external devices.
12. AUDIO IN	RCA input port for audio signal.